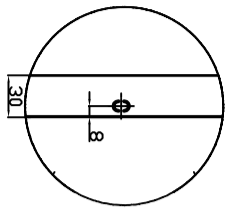
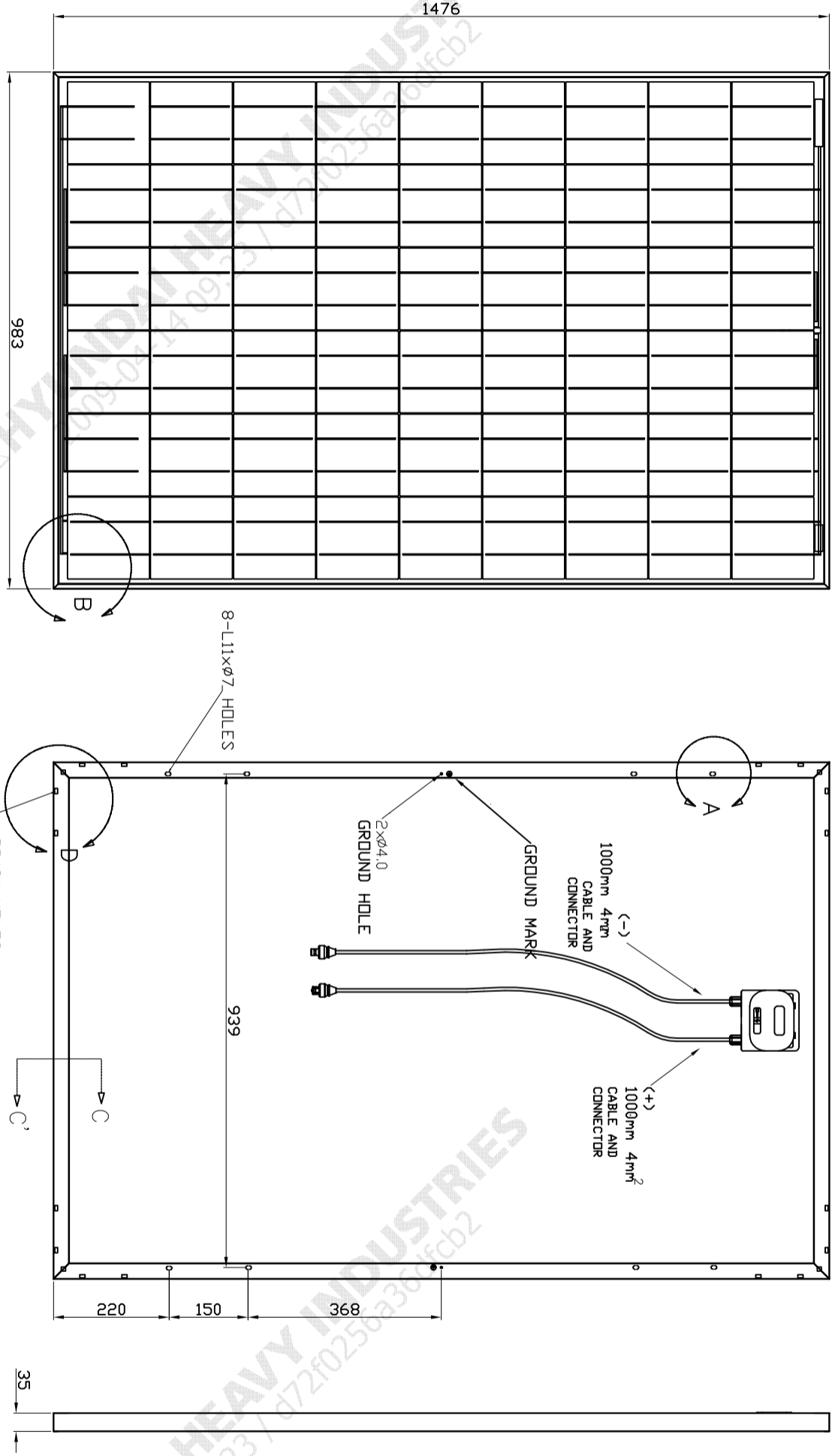
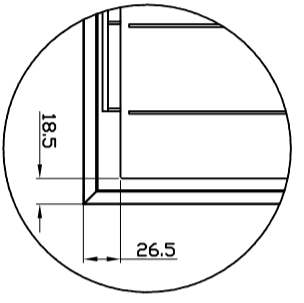


THIS DRAWING IS PROPRIETARY TO HHI.  
NO PART OF THIS DRAWING MAY BE REPRODUCED  
WITHOUT THE PERMISSION OF HHI.

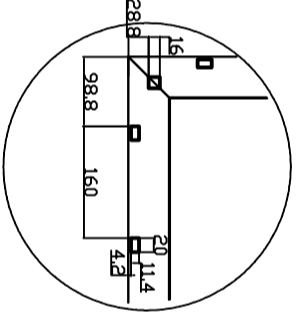
NO.	PART NAME	DESCRIPTION	DIMENSION	Q'TY	REMARKS
1	PV MODULE	6' Multi cell, 6x9	1476x983x35mm	-	-



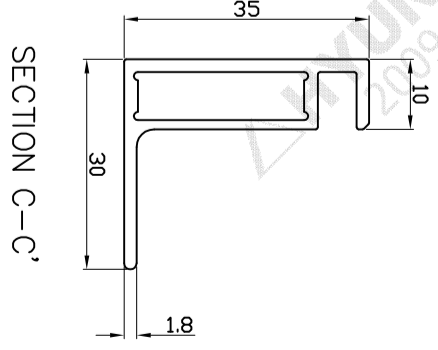
DETAIL A



DETAIL B



DETAIL D



SECTION C-C'

REV.	DATE	CONTENTS	DSDN	BY	CHKD	BY	REVD	BY	APPD	BY
2	081113	배수구 추가	JEDNG	H.W	SHIN	S. M	SHIN	S. Y	SONG	S. H
1	080304	Hole size 수정	KIM	M. J	SONG	H. N	SHIN	S. M	SHIN	S. Y
0	060228	초도 출도	SONG	H. N	SONG	H. N	SHIN	S. M	SHIN	S. Y

APPD BY	SONG S. H	UNIT	MM	PROJECT	6' 6X9 Mass Products
REVD BY	SHIN S. Y	SCALE	NONE	TITLE	PV Module Outline (HIS-M000SF type)
CHKD BY	SHIN S. M	PROJECTION	-	DWG. NO.	182SF001
DSDN BY	JEDNG H. W	DATE	2008.11.13	SHEET NO.	1 OF 1
			REV.	2	